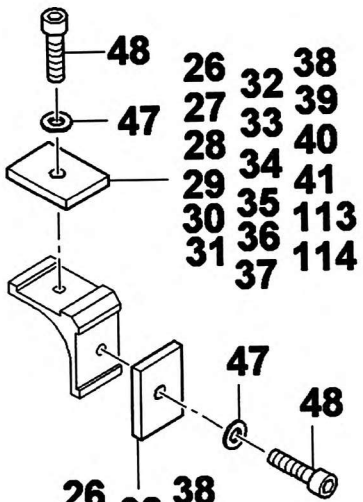
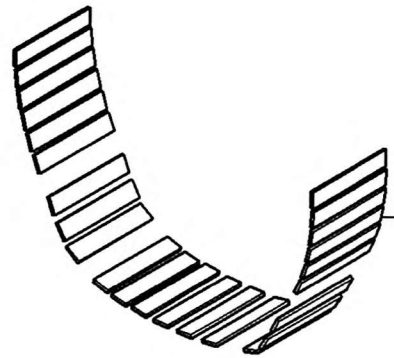
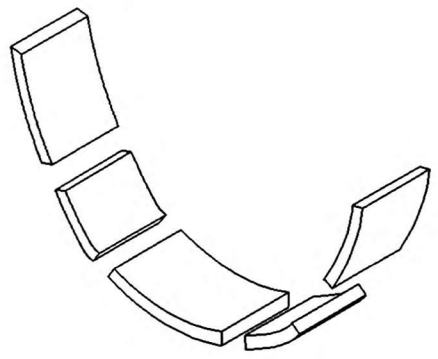
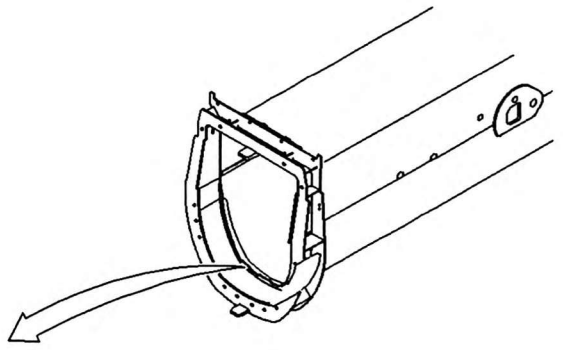


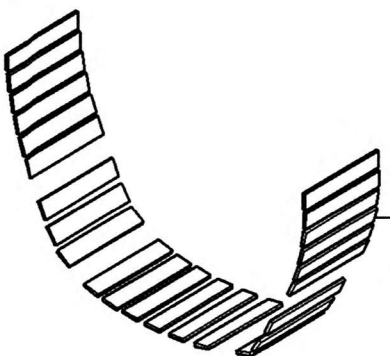
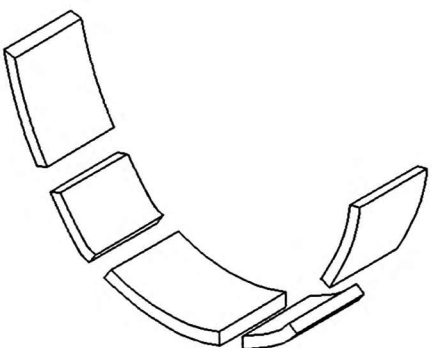
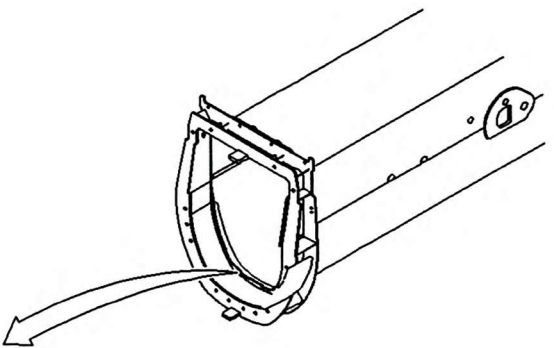
26 32 38  
 27 33 39  
 28 34 40  
 29 35 41  
 30 36 113  
 31 37 114



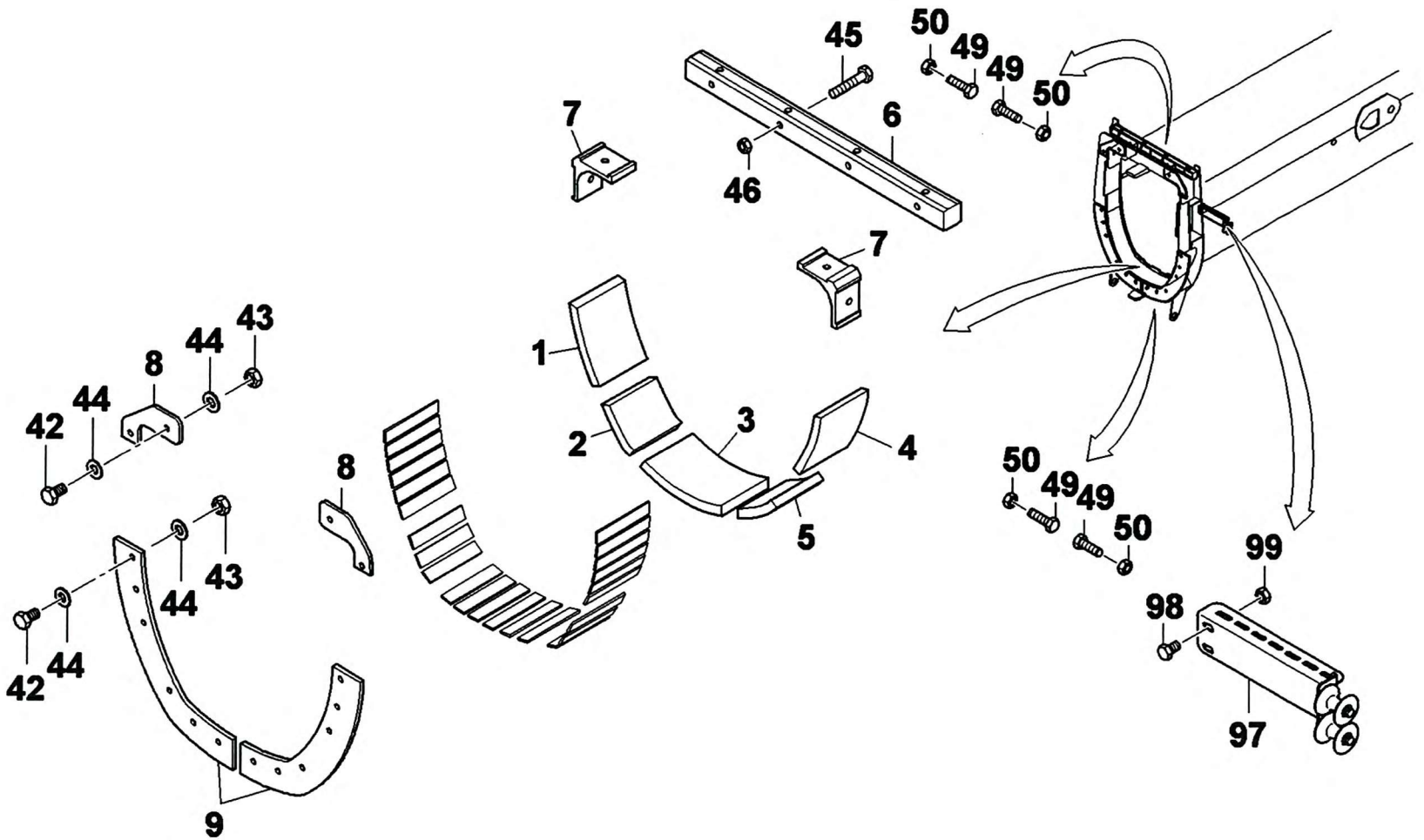
26 32 38  
 27 33 39  
 28 34 40  
 29 35 41  
 30 36 113  
 31 37 114



- |     |     |     |
|-----|-----|-----|
| 134 | 140 | 146 |
| 135 | 141 | 147 |
| 136 | 142 | 148 |
| 137 | 143 | 149 |
| 138 | 144 | 150 |
| 139 | 145 | 151 |



10 11 12 13  
14 15 16 17  
18 19 20 21  
22 23 24 25



03130063

(SHEET 1 OF 7)